



ORIGINAL

मूल/No : 125644



भारत सरकार
GOVERNMENT OF INDIA
पेटेंट कार्यालय
THE PATENT OFFICE

डिजाइन के पंजीकरण का प्रमाणपत्र
CERTIFICATE OF REGISTRATION OF DESIGN

डिजाइन सं. / Design No. : 373685-001
तारीख / Date : 07/11/2022
पारस्परिकता तारीख / Reciprocity Date* :
देश / Country :

प्रमाणित किया जाता है कि संलग्न प्रति में वर्णित डिजाइन जो **THREE PHASE DECANTER WITH CENTRIPETAL PUMP**. से संबंधित है, का पंजीकरण, श्रेणी **23-01** में Pure Centrifuges के नाम में उपर्युक्त संख्या और तारीख में कर लिया गया है।

Certified that the design of which a copy is annexed hereto has been registered as of the number and date given above in class **23-01** in respect of the application of such design to **THREE PHASE DECANTER WITH CENTRIPETAL PUMP**. in the name of Pure Centrifuges.

डिजाइन अधिनियम, 2000 तथा डिजाइन नियम, 2001 के अध्यक्षीन प्रावधानों के अनुसरण में।

In pursuance of and subject to the provisions of the Designs Act, 2000 and the Designs Rules, 2001.

INTELLECTUAL
PROPERTY INDIA
PATENTS | DESIGNS | TRADE MARKS
GEOGRAPHICAL INDICATIONS

निर्गमन की तारीख/Date of Issue : 17/01/2023


महानियंत्रक पेटेंट डिजाइन और व्यापार चिह्न
Controller General of Patents, Designs and Trade Marks

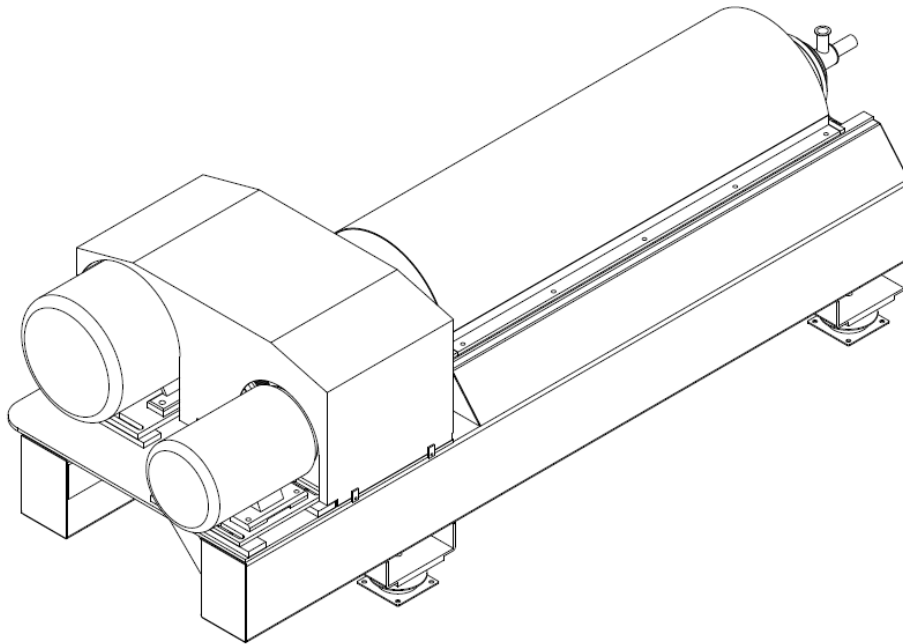
पारस्परिकता तारीख (यदि कोई हो) जिसकी अनुमति देश के नाम पर की गई है। डिजाइन का सत्त्वाधिकार पंजीकरण की तारीख से दस वर्षों के लिए होगा जिसका विस्तार, अधिनियम एवं नियम के निबंधनों के अधीन, पाँच वर्षों की अतिरिक्त अवधि के लिए किया जा सकेगा। इस प्रमाण पत्र का उपयोग विधिक कार्यवाहियों अथवा विदेश में पंजीकरण प्राप्त करने के लिए नहीं हो सकता है।

*The reciprocity date (if any) which has been allowed and the name of the country. Copyright in the design will subsist for ten years from the date of Registration, and may under the terms of the Act and Rules, be extended for a further period of five years. This Certificate is not for use in legal proceedings or for obtaining registration abroad.

Name of the Applicant: **Pure Centrifuges**

No. of sheets used: 07

Sheet no.: 01



PERSPECTIVE VIEW

The novelty resides in the shape and configuration of **THREE PHASE DECANTER WITH CENTRIPETAL PUMP** as illustrated:

No claim is made by virtue of this registration in respect of any mechanical or other action of mechanism or in respect of any mode or principle of construction of the article.

No claim is made by virtue of this registration in respect of the use of letters, numerals, trademark or words appearing in the said representation.

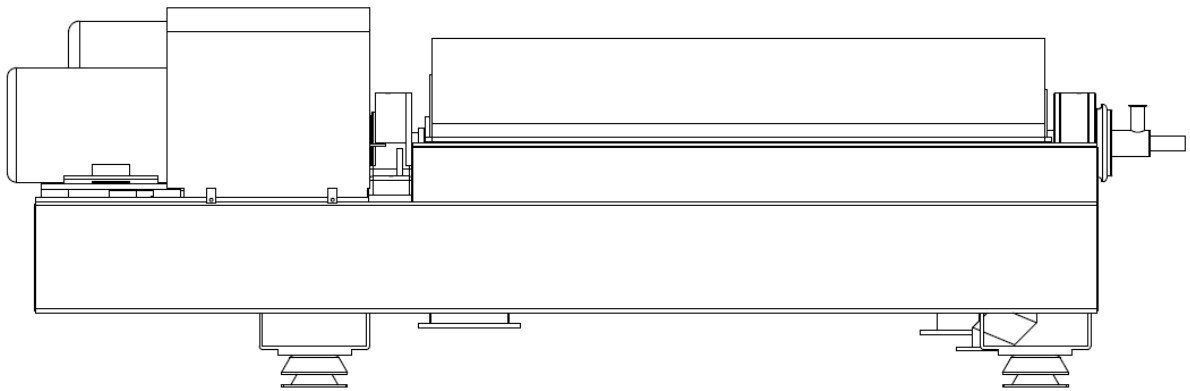
Dated this 7th day of November 2022

Dr. Mohan Dewan
OF R.K.DEWAN & COMPANY
Applicants' Attorneys.

Name of the Applicant **Pure Centrifuges**

No. of sheets used: 07

Sheet no.: 02



FRONT VIEW

The novelty resides in the shape and configuration of **THREE PHASE DECANTER WITH CENTRIPETAL PUMP** as illustrated:

No claim is made by virtue of this registration in respect of any mechanical or other action of mechanism or in respect of any mode or principle of construction of the article.

No claim is made by virtue of this registration in respect of the use of letters, numerals, trademark or words appearing in the said representation.

Dated this 7th day of November 2022

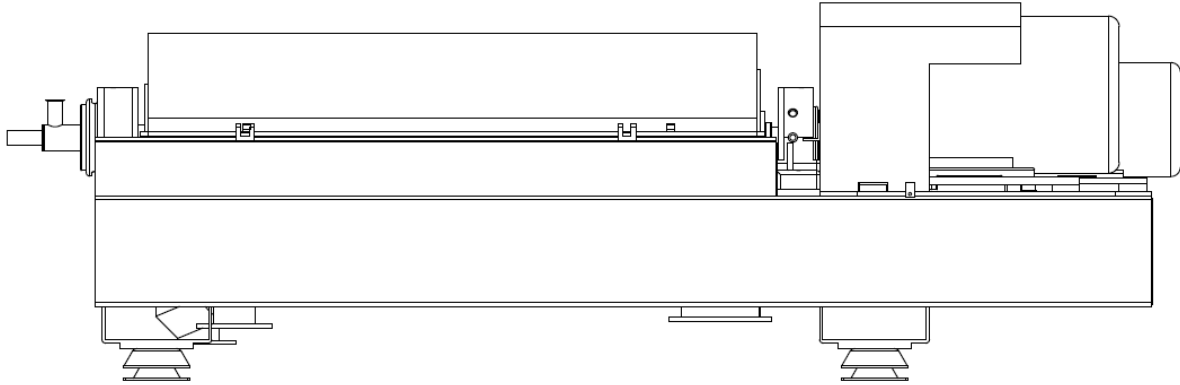
A handwritten signature in blue ink, which appears to read "Mohan Dewan". The signature is written in a cursive style and is positioned above a horizontal line.

Dr. Mohan Dewan
OF R.K.DEWAN & COMPANY
Applicants' Attorneys.

Name of the Applicant **Pure Centrifuges**

No. of sheets used: 07

Sheet no.: 03



REAR VIEW

The novelty resides in the shape and configuration of **THREE PHASE DECANTER WITH CENTRIPETAL PUMP** as illustrated:

No claim is made by virtue of this registration in respect of any mechanical or other action of mechanism or in respect of any mode or principle of construction of the article.

No claim is made by virtue of this registration in respect of the use of letters, numerals, trademark or words appearing in the said representation.

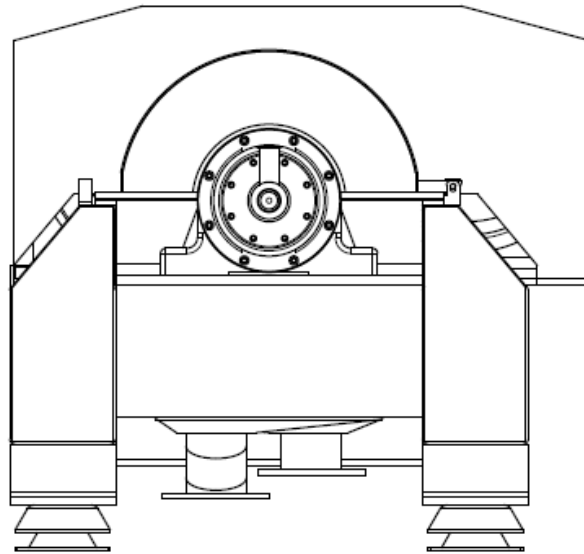
Dated this 7th day of November 2022

Dr. Mohan Dewan
OF R.K.DEWAN & COMPANY
Applicants' Attorneys.

Name of the Applicant: **Pure Centrifuges**

No. of sheets used: 07

Sheet no.: 04



RIGHT SIDE VIEW

The novelty resides in the shape and configuration of **THREE PHASE DECANTER WITH CENTRIPETAL PUMP** as illustrated:

No claim is made by virtue of this registration in respect of any mechanical or other action of mechanism or in respect of any mode or principle of construction of the article.

No claim is made by virtue of this registration in respect of the use of letters, numerals, trademark or words appearing in the said representation.

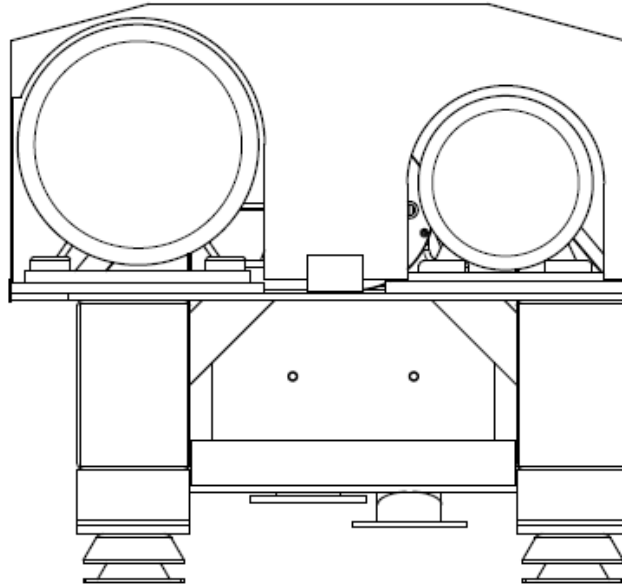
Dated this 7th day of November 2022

Dr. Mohan Dewan
OF R.K.DEWAN & COMPANY
Applicants' Attorneys.

Name of the Applicant: **Pure Centrifuges**

No. of sheets used: 07

Sheet no.: 05



LEFT SIDE VIEW

The novelty resides in the shape and configuration of **THREE PHASE DECANTER WITH CENTRIPETAL PUMP** as illustrated:

No claim is made by virtue of this registration in respect of any mechanical or other action of mechanism or in respect of any mode or principle of construction of the article.

No claim is made by virtue of this registration in respect of the use of letters, numerals, trademark or words appearing in the said representation.

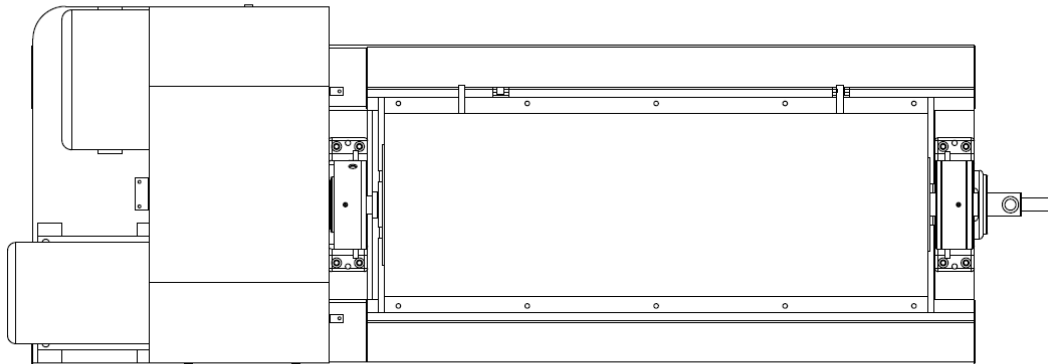
Dated this 7th day of November 2022

Dr. Mohan Dewan
OF R.K.DEWAN & COMPANY
Applicants' Attorneys.

Name of the Applicant: **Pure Centrifuges**

No. of sheets used: 07

Sheet no.: 06



TOP VIEW

The novelty resides in the shape and configuration of **THREE PHASE DECANTER WITH CENTRIPETAL PUMP** as illustrated:

No claim is made by virtue of this registration in respect of any mechanical or other action of mechanism or in respect of any mode or principle of construction of the article.

No claim is made by virtue of this registration in respect of the use of letters, numerals, trademark or words appearing in the said representation.

Dated this 7th day of November 2022

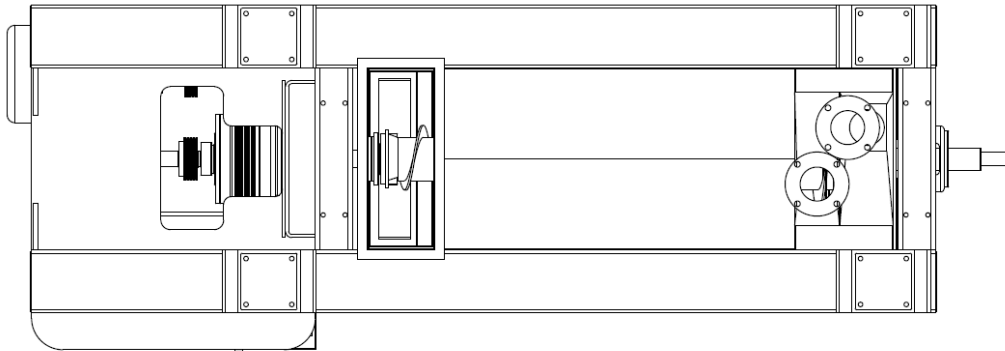
A handwritten signature in blue ink, appearing to read "Mohan Dewan". The signature is written in a cursive style and is underlined.

Dr. Mohan Dewan
OF R.K.DEWAN & COMPANY
Applicants' Attorneys.

Name of the Applicant: **Pure Centrifuges**

No. of sheets used: 07

Sheet no.: 07



BOTTOM VIEW

The novelty resides in the shape and configuration of **THREE PHASE DECANTER WITH CENTRIPETAL PUMP** as illustrated:

No claim is made by virtue of this registration in respect of any mechanical or other action of mechanism or in respect of any mode or principle of construction of the article.

No claim is made by virtue of this registration in respect of the use of letters, numerals, trademark or words appearing in the said representation.

Dated this 7th day of November 2022

Dr. Mohan Dewan
OF R.K.DEWAN & COMPANY
Applicants' Attorneys.